

Diade equipped troughs Gun Metal



Equipped troughs

Code: 8100 866



DETAILS

Edge/Installation Type Flush-mount | Top-mount | Undermount

Material AISI 304 stainless steel

Texture Brushed in line

Finish PVD

Coloring Gun Metal

Base 120 cm

External dimensions 520 x 164 mm

Internal dimensions 480 x 124 mm

Width 52 cm

Built-in hole [View sink technical data sheet](#)

Standard fittings [Fixing hooks, gasket, drain, boxed packing](#)

Waste fitting [1¼" drain](#)

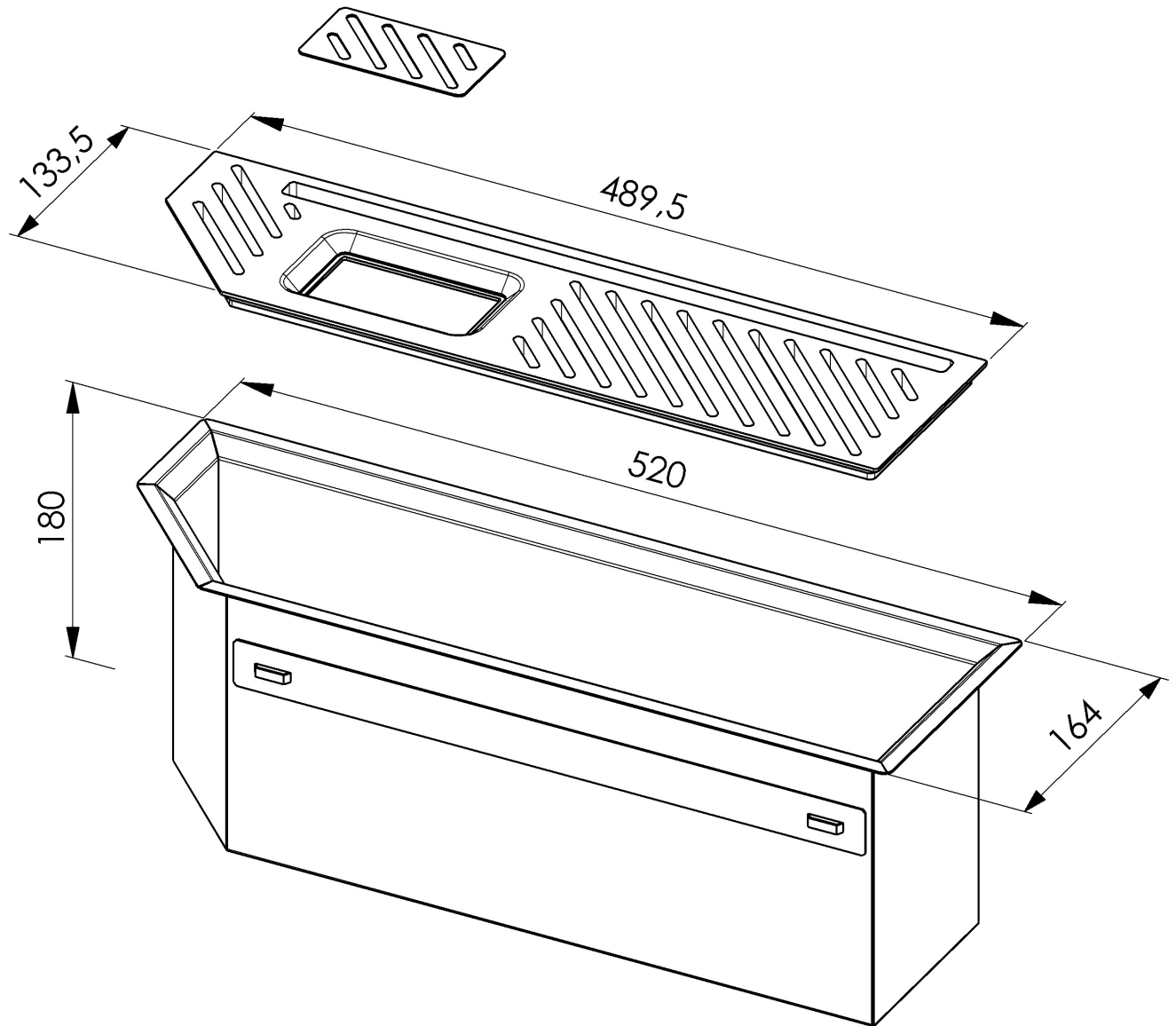
FEATURES

Gun Metal [The Gun Metal finish is obtained by treating steel with a physical process called PVD \(Physical Vacuum Deposition\) which deposits particles of noble metals on the surface. The result is a unique and refined aesthetic effect, and an improvement of the mechanical properties of the steel which is more resistant to impact and scratches.](#)

High thickness [1mm thick steel. A significant thickness, which guarantees the maximum sturdiness and durability.](#)

TECHNICAL DATA

8100 866



1 x Supporto black / 1 x Black support
1 x Piastrina AISI 304 / 1 x AISI 304 plate

GALLERY



RECOMMENDED PAIRINGS



Sink Diade Gun Metal
3028 006



Sink Diade Gun Metal
3028 856